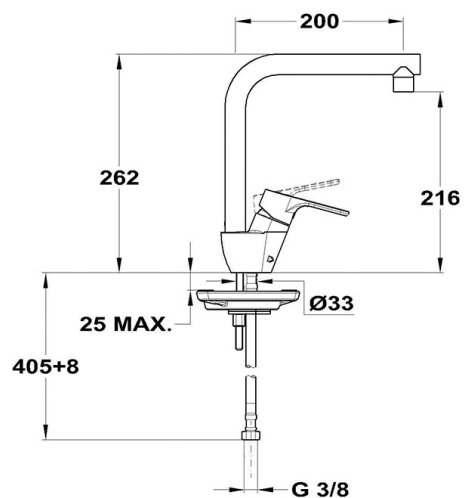


PRODUCT DATASHEET



Zenit | Sink mixer

- Swivel high spout: 200 mm
- Anti-scale aerator
- Aerator size: M22x1

REF.

152-1951-01

Other datas

Code	EAN	Master box	Palette	Weight
152-1951-01	5995841398131	6 pcs	72 pcs	1,358 kg