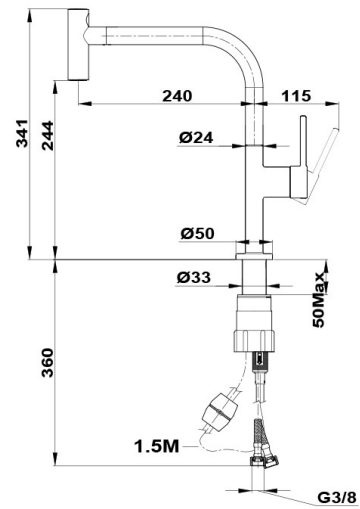


PRODUCT DATASHEET



Junior Evo | EVO X Sink mixer

- With pull out shower: 2 functions
- Easy Fix installation

Ref.:

182672870

Other datas

Code	EAN	Master box	Palette	Weight
182672870	5995841400599	10 pcs	80 pcs	1,66 kg