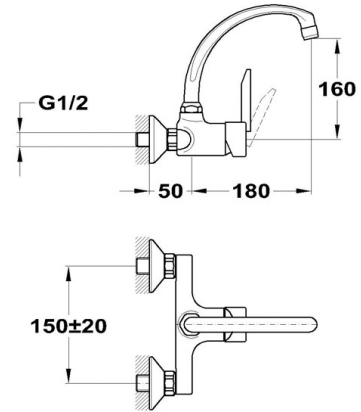


PRODUCT DATASHEET



Mambo-5 | Sink mixer

- Swivel high spout
- 180 mm spout
- Anti-scale aerator
- Size of aerator: M24x1
- 35 mm cartridge

REF.

152-0034-00

Other datas

Code	EAN	Master box	Palette	Weight
152-0034-00	5995841016929	6 pcs	108 pcs	1,335 kg