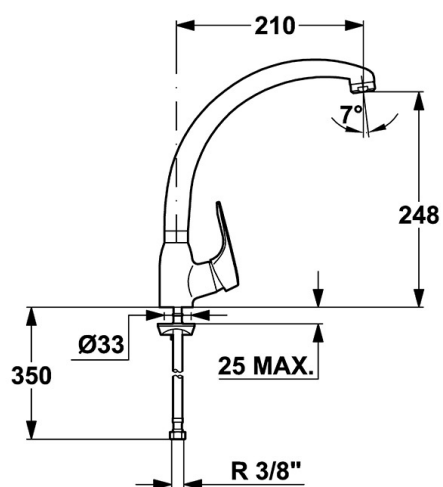


# PRODUCT DATASHEET



## Zenit | Sink mixer

- Swivel high spout: 210 mm
- Anti-scale aerator
- Aerator size: M24x1

### REF.

152-1951-03

### Other datas

Code	EAN	Master box	Palette	Weight
152-1951-03	5995841398155	6 pcs	108 pcs	1,358 kg