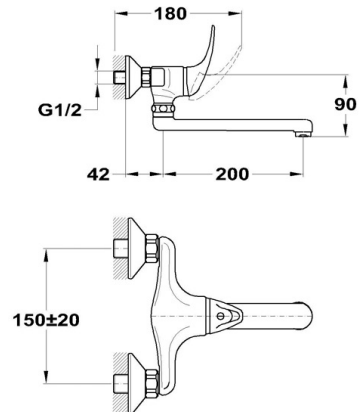


PRODUCT DATASHEET



Junior | Sink mixer

- Swivel low spout
- 200 mm spout
- Anti-scale aerator
- Size of aerator: M24x1
- 35 mm cartridge

REF.

152-0023-00

Other datas

Code	EAN	Master box	Palette	Weight
152-0023-00	5995841003929	6 pcs	108 pcs	1,395 kg