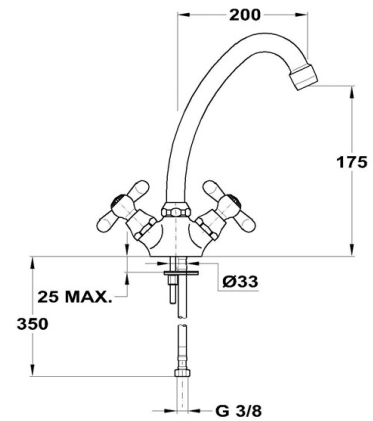


PRODUCT DATASHEET



Treff | Sink mixer

- Swivel high spout
- 200 mm spout
- Ceramic headpart
- Anti-scale aerator
- Size of aerator: M22x1
- 3/8" flexible inlet pipe

REF.

142-0151-00

Other datas

Code	EAN	Master box	Palette	Weight
142-0151-00	5995841015021	1 pcs	162 pcs	1,244 kg