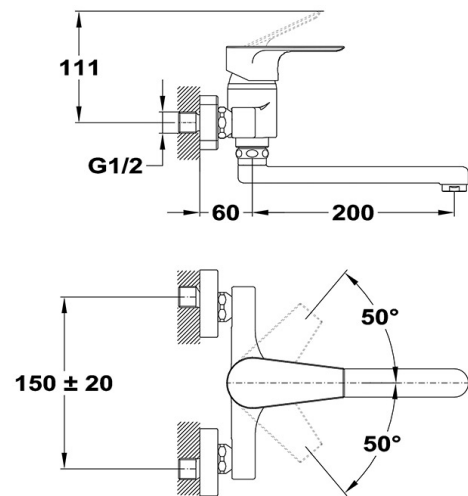


PRODUCT DATASHEET



Trend Plus | Sink mixer

- Swivel low spout
- 200 mm spout
- Anti-scale aerator
- Size of aerator: M24x1
- Equipped with noise reducers
- 40 mm cartridge
- 3/8" flexible inlet pipe

REF.

[152-1551-06](#)

Other datas

Code	EAN	Master box	Palette	Weight
152-1551-06	5995841031427	6 pcs	108 pcs	1,236 kg