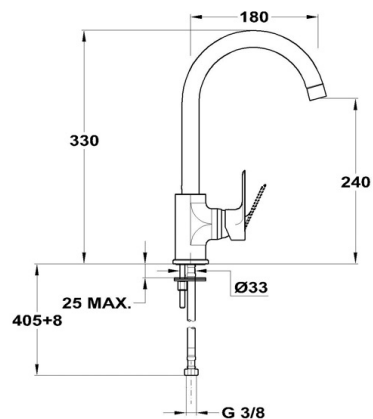


# PRODUCT DATASHEET



## Trend Plus | Sink mixer

- Swivel spout
- 180 mm spout
- Anti-scale aerator
- Size of aerator: M22x1
- 35 mm Eco click cartridge
- 3/8" flexible inlet pipe

### REF.

[152-1551-07](#)

### Other datas

Code	EAN	Master box	Palette	Weight
<a href="#">152-1551-07</a>	5995841363184	6 pcs	54 pcs	1,05 kg